



Transmate

1-800-426-9341



DeChlorinator

Material Specifications

Aluminum, brass valves and stainless steel fasteners.

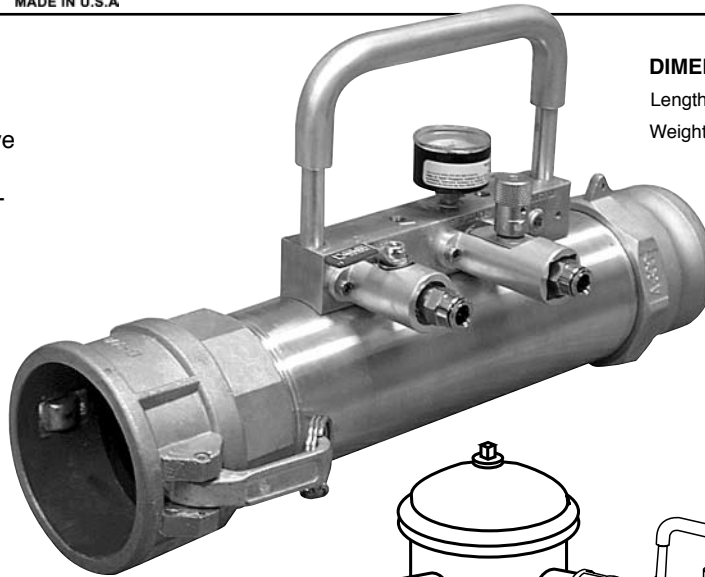
Connection inlet: Type A cam and groove hydrant adapter (FNST) and Type D cam and groove adapter. Other hydrant adapters available on request.

Connection outlet: Type A and D cam and groove adapter.

Porting Connections: 1/4" valves with quick disconnects.

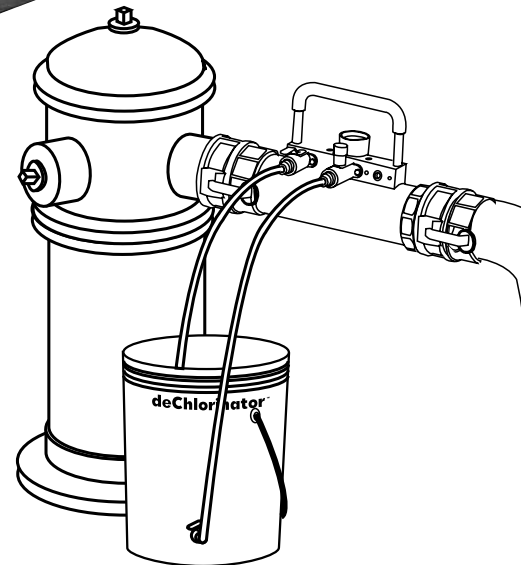
Reagents: Can use all commonly available disinfection and dechlorination reagents.

Flows: 200 - 900 GPM

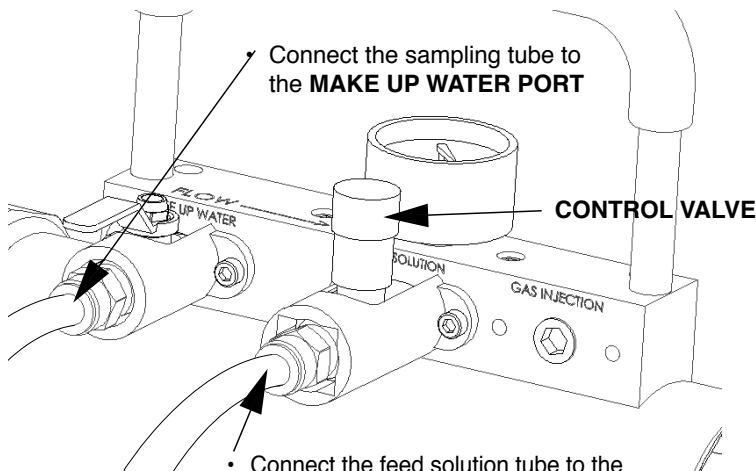


DIMENSIONS

Length - 16 3/8"
Weight - 9.3 lbs.



Connections are easy ...



• Connect the sampling tube to the **MAKE UP WATER PORT**

• Connect the feed solution tube to the **FEED SOLUTION PORT**, and connect the opposite end into the **SOLUTION CONTROL VALVE** located at the bottom of the bucket

Vita-D-Chlor Feed Solution and Mixing and Feed Solution Valve Settings

If Chlorine value (pm, mg/l)	Then add... Vita-D-Chlor cups per 5 gal water	Set Control Valve on... for maximum Chlorine
0 - .5	1/4 cup	2 Turns Open
.5 - 1	1/2 cup	2 Turns Open
1 - 1.5	1/2 cup	3 Turns Open
1.5 - 10	5 cups	2 Turns Open
10 - 30	15 cups	2 Turns Open
30 - 50	15 cups	3 Turns Open
50 - 150	25 cups	Full open
150 - 200	34 cups	Full open

Why Dechlorinate?

- Quickly dechlorinates and neutralizes pH of release water.
- Allows water utilities to meet regulations for residual chlorine concentration in released water.
- Enables contractors to quickly flush highly concentrated chlorinated water in new construction situations.
- Helps meet EPA, CWA, and SDWA legislation for released water entering receiving streams.

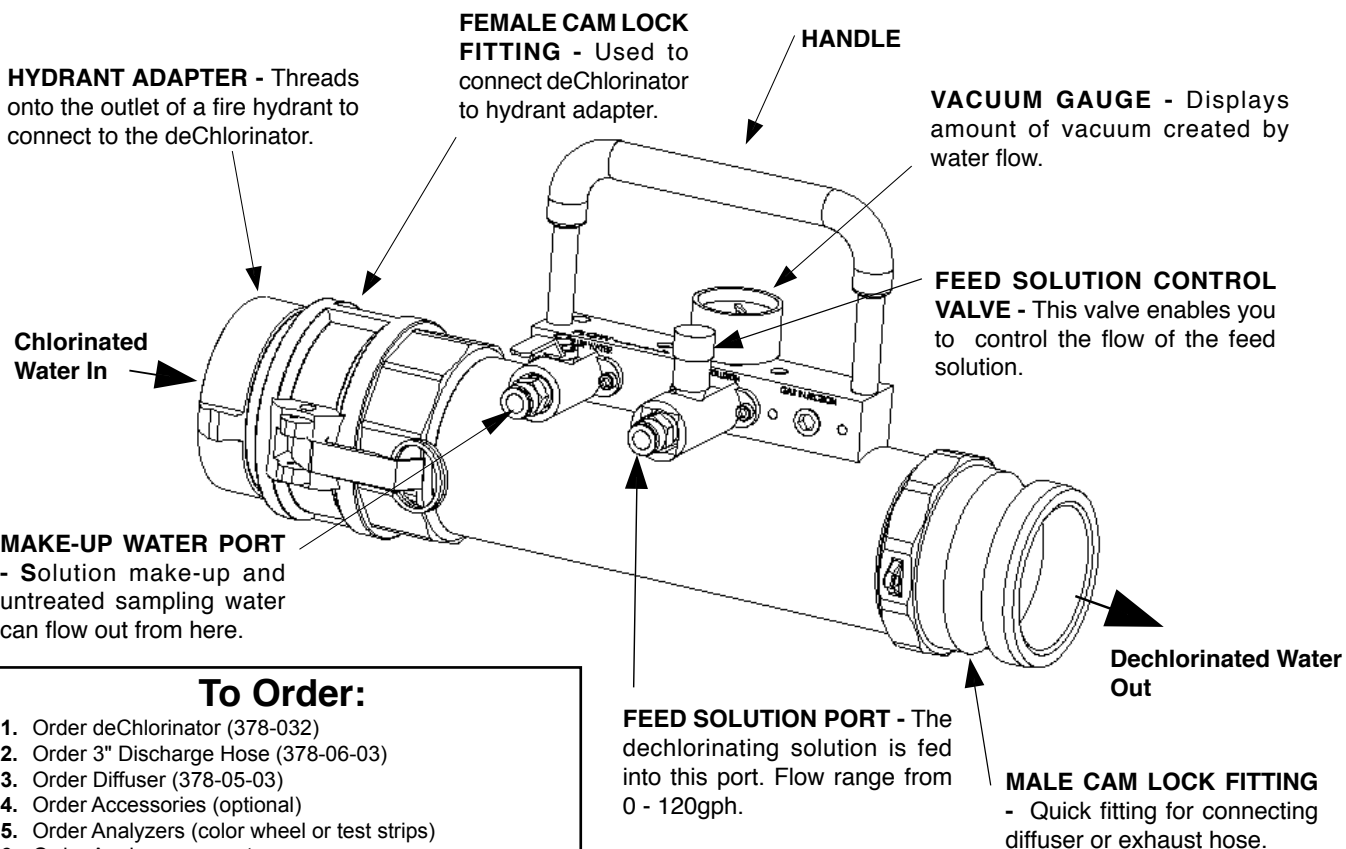


Transmate

1-800-426-9341



DeChlorinator



To Order:

1. Order deChlorinator (378-032)
2. Order 3" Discharge Hose (378-06-03)
3. Order Diffuser (378-05-03)
4. Order Accessories (optional)
5. Order Analyzers (color wheel or test strips)
6. Order Analyzer reagents
 - Determine whether the system is "free" or "total"
 - free = chlorine only
 - total = chlorine & ammonia
7. Order dechlorinating chemicals
 - Vita-D-Chlor™ if you're dechlorinating only
 - Vita-D-Chlor™ neutral if the pH levels need to be maintained

ITEM NUMBER	DESCRIPTION	LIST PRICE
378-032	DC, Dechlorinator Kit 3" with 2" venturi	\$2,378.98
	Included with DC Kit	
378-030-17	Carrying Bucket	included
378-030-06	Male x Fire Hydrant Camlock Adapter	included
378-02-2	Test Strips	included
378-01-01-4	Dechlorinating Chemical (one cup)	included
378-030-10	Tubing (2 tubes, 4 feet long)	included
378-032M	deChlorinator Unit	included
Accessories		
378-05-03	Diffuser	553.08
378-06-03	3" Discharge Hose (20ft. long w/camlock fittings)	175.03
Analyzers		
378-02-1	Hach Free & Total Chlorine Color Disc	89.62
Hach Chlorine Test Strips		
378-02-2	0 - 10 PPM Range	20.16
378-02-3	10 - 200 PPM Range	80.84

ITEM NUMBER	DESCRIPTION	LIST PRICE
Analyzer Reagents		
378-03-1	Hach DPD Free Chlorine 100 5ml Pillows	POA
378-03-2	Hach DPD Total Chlorine 100 5ml Pillows	POA
378-04-1	DPD Dispenser for Free Chlorine 5ml (400 doses)	POA
378-04-2	DPD Dispenser for Total Chlorine 5ml (400 doses)	POA
Dechlorination Chemicals		
Vita-D-Chlor™ (Ascorbic Acid, NSF)		
378-01-01-1	2.5 kg (5.5 lbs.)	POA
378-01-01-2	12 kg (26.4 lbs.)	POA
378-01-01-3	25 kg (55 lbs.)	POA
Vita-D-Chlor™, Neutral (Sodium Ascorbate, NSF)		
378-01-02-1	2.5 kg (5.5 lbs.)	POA
378-01-02-2	12 kg (26.4 lbs.)	POA
378-01-02-3	25 kg (55 lbs.)	POA
Vita-D-Chlor™, Tablets		
Treats 8500 gallons per tablet (85g of Ascorbic Acid per 2 ⁵ / ₈ " tablet)		
378-01-03-1	6 tablets	POA
378-01-03-2	20 tablets	POA
378-01-03-3	40 tablets	POA
Vita-D-Chlor™, Tablet Sock (Coarse or Fine)		
(24" sock for holding tablets)		
378-01-04-1	Coarse	POA
378-01-04-2	Fine	POA