



“FTS419” Fabricated Steel Tapping Sleeve

Material Specifications

Body and Outlet Nozzle: Carbon steel, A-36 or equal.

Bolts and Nuts: Trackhead bolts, heavy hex nuts, 5/8" UNC rolled thread, high strength, low alloy, steel per AWWA C111. Optional stainless steel, type 304.

Gaskets: SBR per ASTM D 2000 MBA 710, compounded for water and sewer service use. Other compounds available on request.

Coating: Fusion epoxy 8-12 mil. lined and coated. Other coatings available. Romac packages sleeves to protect coating.

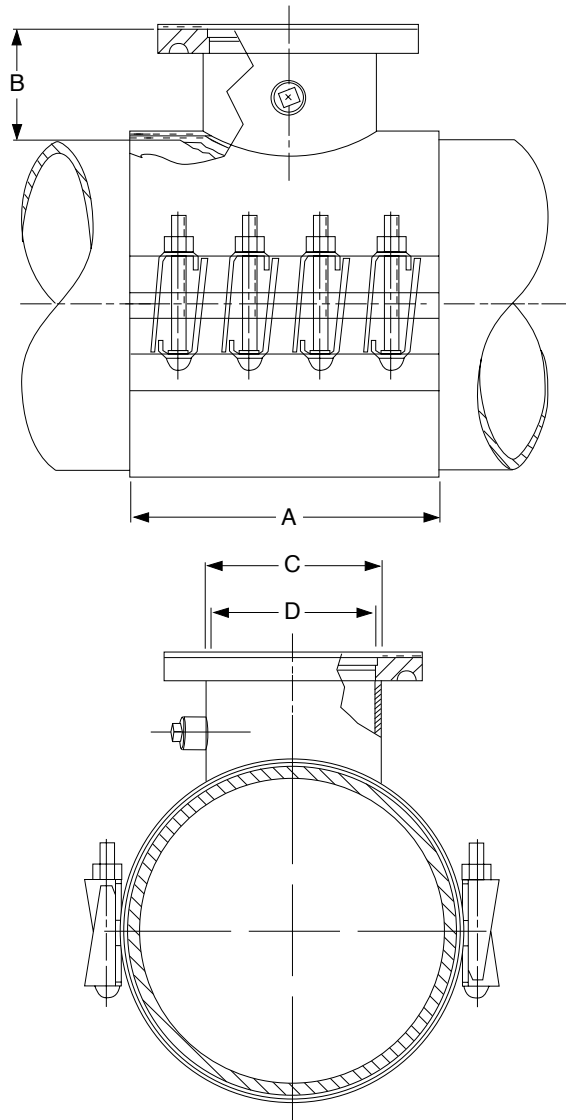
Flange: AWWA Class “D” plate flange, ANSI Class 150 drilling, proper recessing for tapping valves. Will accommodate tapping flanges per MSS SP-60.

Use: Recommended for PVC, steel, D.I., copper pipe.

Meets requirements of MSS SP-124 and AWWA C223



FLANGE SIZE	A	B	C	D	BOLTS
					QTY: SIZE
3"	9"	5.18"	4.031"	3.5"	6: 5/8" x 6"
4"	9"	5.18"	5.031"	4.5"	6: 5/8" x 6"
6"	12"	5.18"	7.031"	6.5"	8: 5/8" x 6"
8"	15"	5.18"	9.031"	8.5"	10: 5/8" x 6"
10"	18"	5.50"	11.031"	10.5"	12: 5/8" x 6"
12"	24"	5.75"	13.031"	12.5"	16: 5/8" x 6"





“FTS419” Fabricated Steel Tapping Sleeve

NOMINAL PIPE SIZE	SLEEVE O.D. (INCHES)	CATALOG NUMBER			LIST PRICE EACH		APPROX. WEIGHT (lbs.)
		SLEEVE NUMBER	BY	BRANCH SIZE	W/ALLOY BOLTS	W/304 SS BOLTS & NUTS	
4"	4.00 4.13	FTS419-4.00 FTS419-4.13	X	3" *	\$562.38	\$618.76	28#
	4.50 4.80	FTS419-4.50 FTS419-4.80	X	3" * 4" *	562.38 562.38	619.76 619.76	33# 34#
5"	5.13 5.56	FTS419-5.13 FTS419-5.56	X	3" * 4" *	562.38 562.38	619.76 619.76	33# 35#
	6.00 6.13	FTS419-6.00 FTS419-6.13	X	3" 4"	579.73 579.73	637.12 637.12	34# 36#
6"	6.63 6.90	FTS419-6.63 FTS419-6.90	X	3" 4" 6" *	579.73 579.73 646.46	637.12 637.12 717.54	34# 36# 53#
	8.00 8.13	FTS419-8.00 FTS419-8.13	X	3" 4" 6"	623.36 623.36 670.93	680.74 680.74 742.03	34# 38# 55#
	8.63 9.05	FTS419-8.63 FTS419-9.05	X	3" 4" 6" 8" *	623.36 623.36 670.93 820.00	680.74 680.74 742.03 904.72	38# 40# 56# 77#
10"	10.00	FTS419-10.00	X	3" 4" 6" 8"	624.86 624.86 693.30 855.19	682.25 682.25 764.38 939.92	38# 41# 58# 79#
	10.75 11.10	FTS419-10.75 FTS419-11.10	X	3" 4" 6" 8" 10" *	624.86 624.86 693.30 855.19 1,137.78	682.25 682.25 764.38 939.92 1,236.17	41# 43# 60# 81# 108#
12"	12.75 13.20	FTS419-12.75 FTS419-13.20	X	3" 4" 6" 8" 10" * 12" *	662.68 662.68 754.89 912.12 1,201.92 1,428.05	720.09 720.09 825.96 996.84 1,300.30 1,553.76	44# 46# 64# 85# 111# 129#
	14.00 15.30	FTS419-14.00 FTS419-15.30	X	3" 4" 6" 8" 10" 12"	730.08 730.08 809.53 978.70 1,389.72 1,563.60	873.32 873.32 853.49 1,202.51 1,631.62 1,813.90	47# 49# 67# 88# 114# 136#
16"	16.00 17.40	FTS419-16.00 FTS419-17.40	X	3" 4" 6" 8" 10" 12"	762.42 762.42 854.56 938.94 1,438.93 1,650.49	904.11 942.99 1,000.08 1,244.25 1,683.85 1,905.03	50# 52# 71# 92# 117# 144#
	18.00 19.50	FTS419-18.00 FTS419-19.50	X	3" 4" 6" 8" 10" 12"	783.35 783.35 880.76 1,070.29 1,498.65 1,675.64	926.04 926.04 1,028.18 1,298.61 1,745.83 1,931.40	56# 57# 76# 96# 120# 160#
20"	20.00 21.60	FTS419-20.00 FTS419-21.60	X	3" 4" 6" 8" 10" 12"	804.28 804.28 906.94 1,157.25 1,558.35 1,698.61	948.00 948.00 1,055.64 1,352.97 1,808.41 1,957.75	56# 58# 78# 100# 123# 160#
	24.00 25.80	FTS419-24.00 FTS419-25.80	X	3" 4" 6" 8" 10" 12"	923.67 923.67 1,041.01 1,348.89 1,809.69 1,931.15	1,073.19 1,073.19 1,196.20 1,553.94 2,071.99 2,199.33	63# 64# 86# 107# 130# 176#

To Order: Specify catalog number by the desired O.D. and flange size. Add S.S. for optional 304 stainless steel bolts and nuts. Some O.D.s not listed are available on request.

Example: FTS419 - 6.90 x 6 - SSFE

* For size on size taps, a 1/2" undersized shell cutter is required.

Test plugs furnished on all applicable models, and are stainless steel when tapping sleeve is ordered with S.S. bolts & nuts.